

REVISIONS

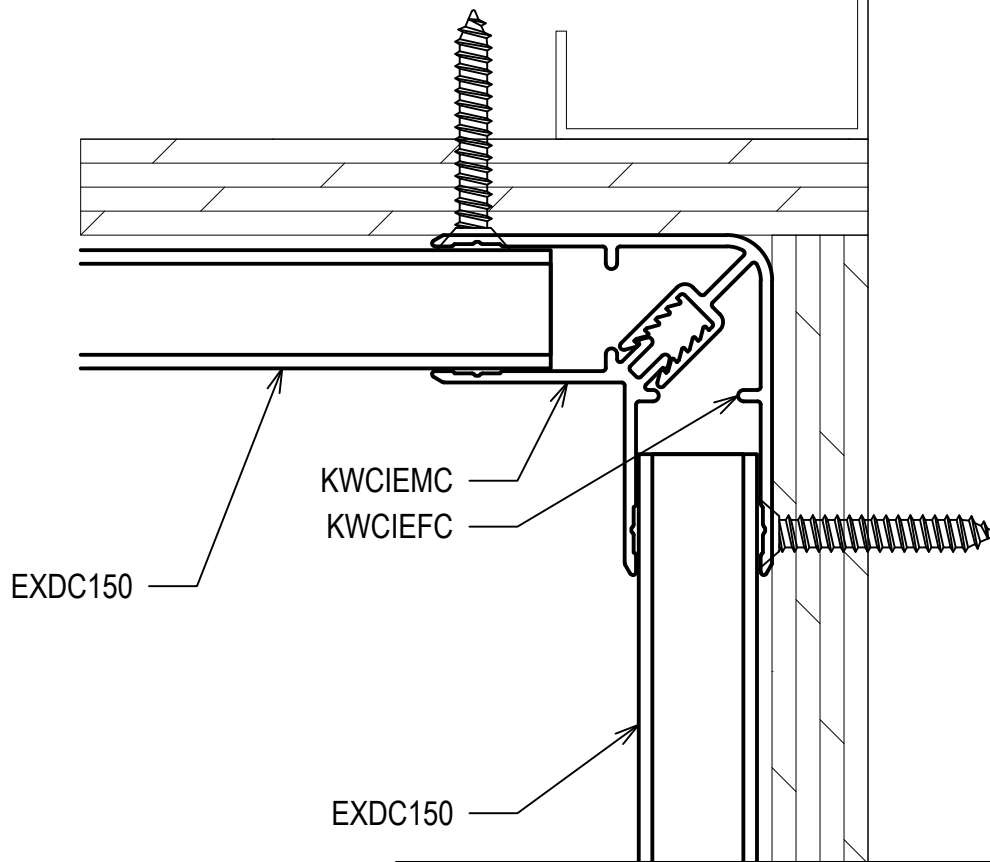
SHOP DRAWINGS FOR:

LTS PROJECT	
SCALE	3/4"=1'-0"
LTS PM	
LTS ENGINEER	
DATE	

K001

SIDING ELEVATION SHEET

INSTALLER NOTE:
 USE #10 (MIN) HOT DIPPED GALVANIZED SCREWS FOR INSTALLATION. REFER TO LOCAL BUILDING CODES FOR COMPLIANCE.



INSTALLER NOTE:
 SEAL ALL FASTENER PENETRATIONS PER LOCAL BUILDING CODES.

INSTALLER NOTE:
 USE KWACC CLIP AT 3 FEET O.C., MAX. CLIP MUST ATTACH TO STUDS FOR MAXIMUM ANCHORAGE. REFER TO LOCAL BUILDING CODES FOR COMPLIANCE.

KNOTWOOD

KNOTWOOD
 10914 NE 39TH ST., STE B3
 VANCOUVER, WA 98682
 1.855.566.8966
 SALES@KNOTWOOD.COM

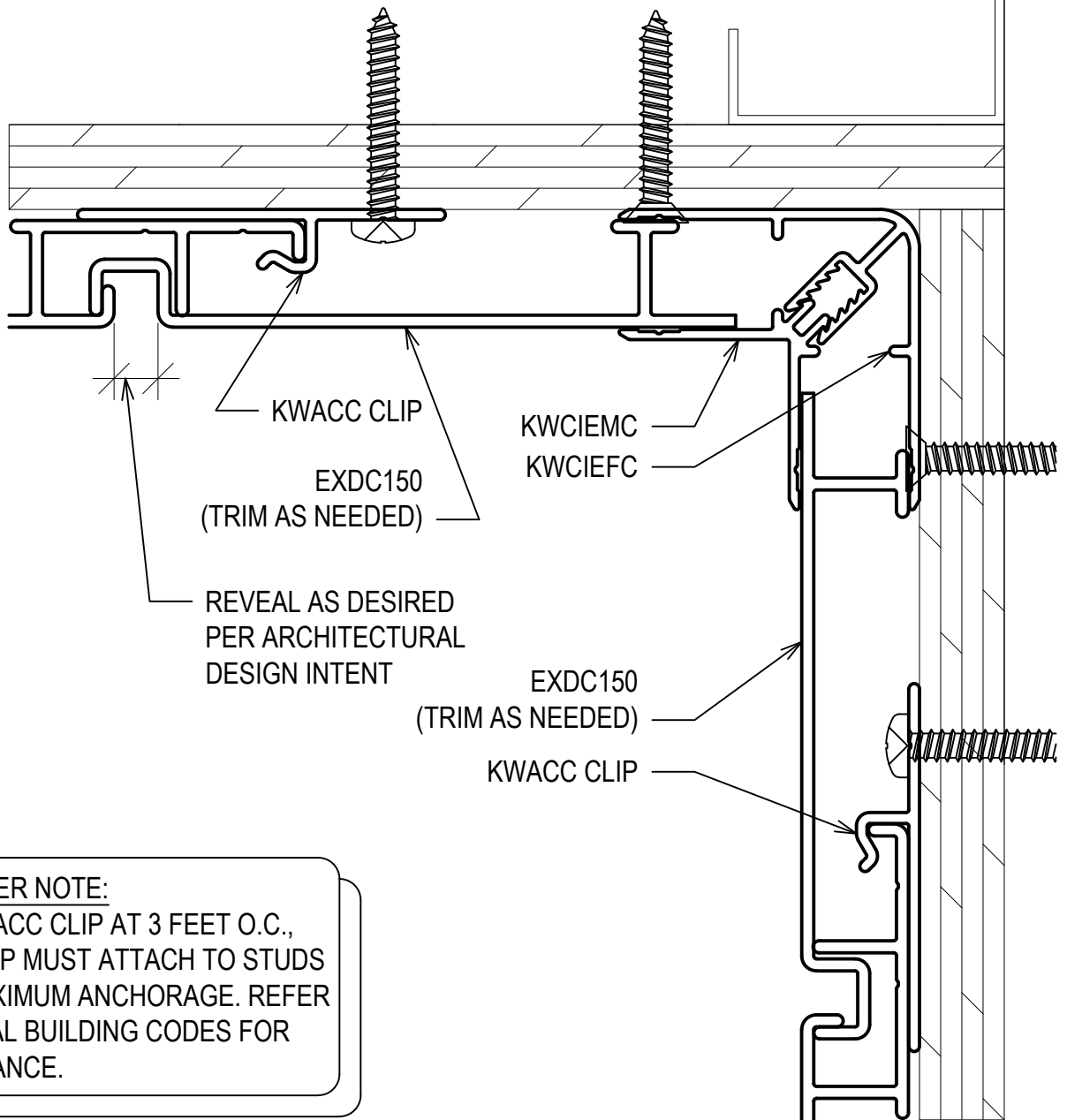
INSIDE CORNER W/
 HORIZONTAL
 SIDING/ CLADDING

K1

11.03.17

INSTALLER NOTE:
 USE #10 (MIN) HOT DIPPED GALVANIZED SCREWS FOR INSTALLATION. REFER TO LOCAL BUILDING CODES FOR COMPLIANCE.

INSTALLER NOTE:
 SEAL ALL FASTENER PENETRATIONS PER LOCAL BUILDING CODES.



INSTALLER NOTE:
 USE KWACC CLIP AT 3 FEET O.C., MAX. CLIP MUST ATTACH TO STUDS FOR MAXIMUM ANCHORAGE. REFER TO LOCAL BUILDING CODES FOR COMPLIANCE.

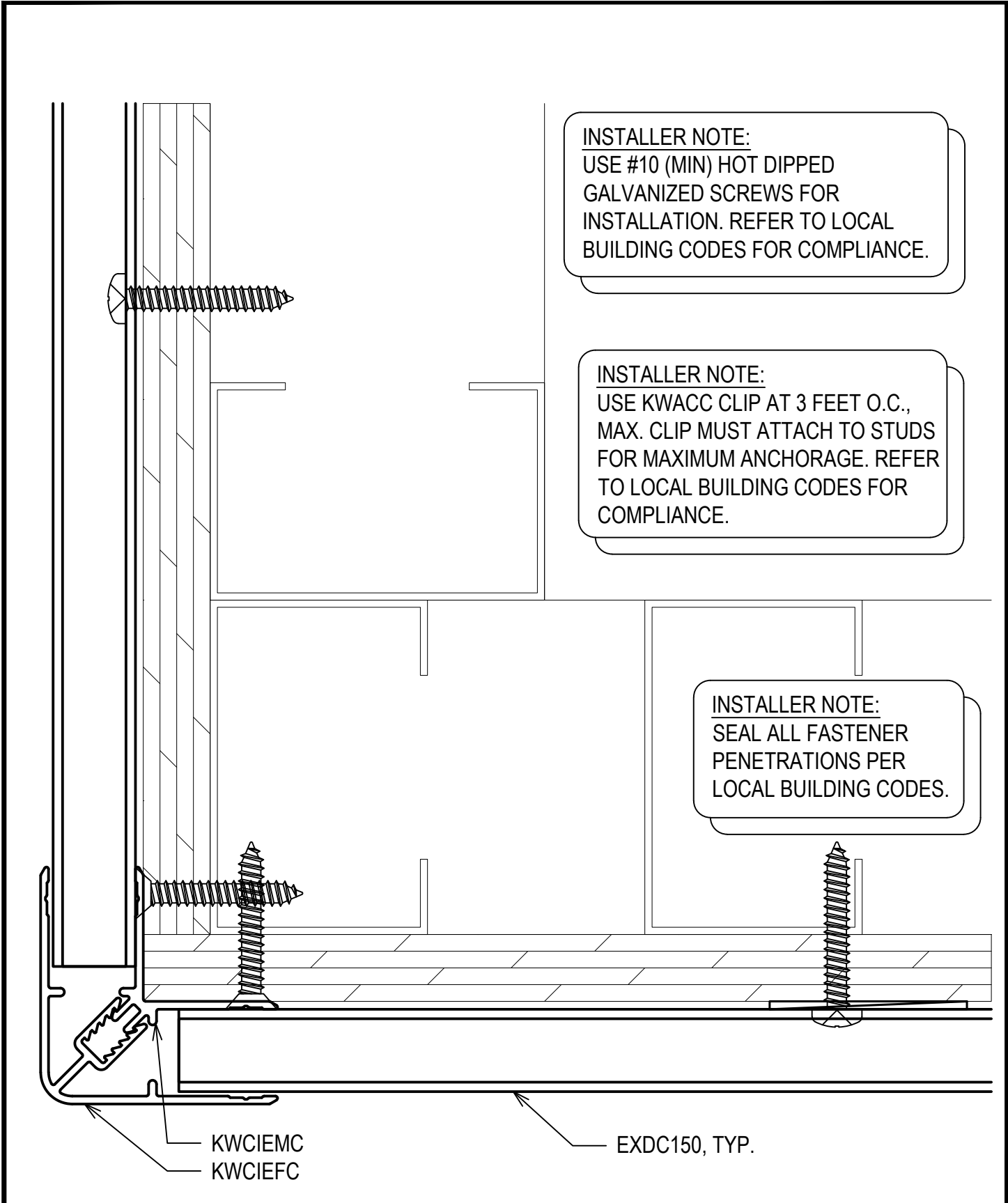
KNOTWOOD

KNOTWOOD
 10914 NE 39TH ST., STE B3
 VANCOUVER, WA 98682
 1.855.566.8966
 SALES@KNOTWOOD.COM

INSIDE CORNER W/
 VERTICAL
 SIDING/ CLADDING

K2

11.03.17

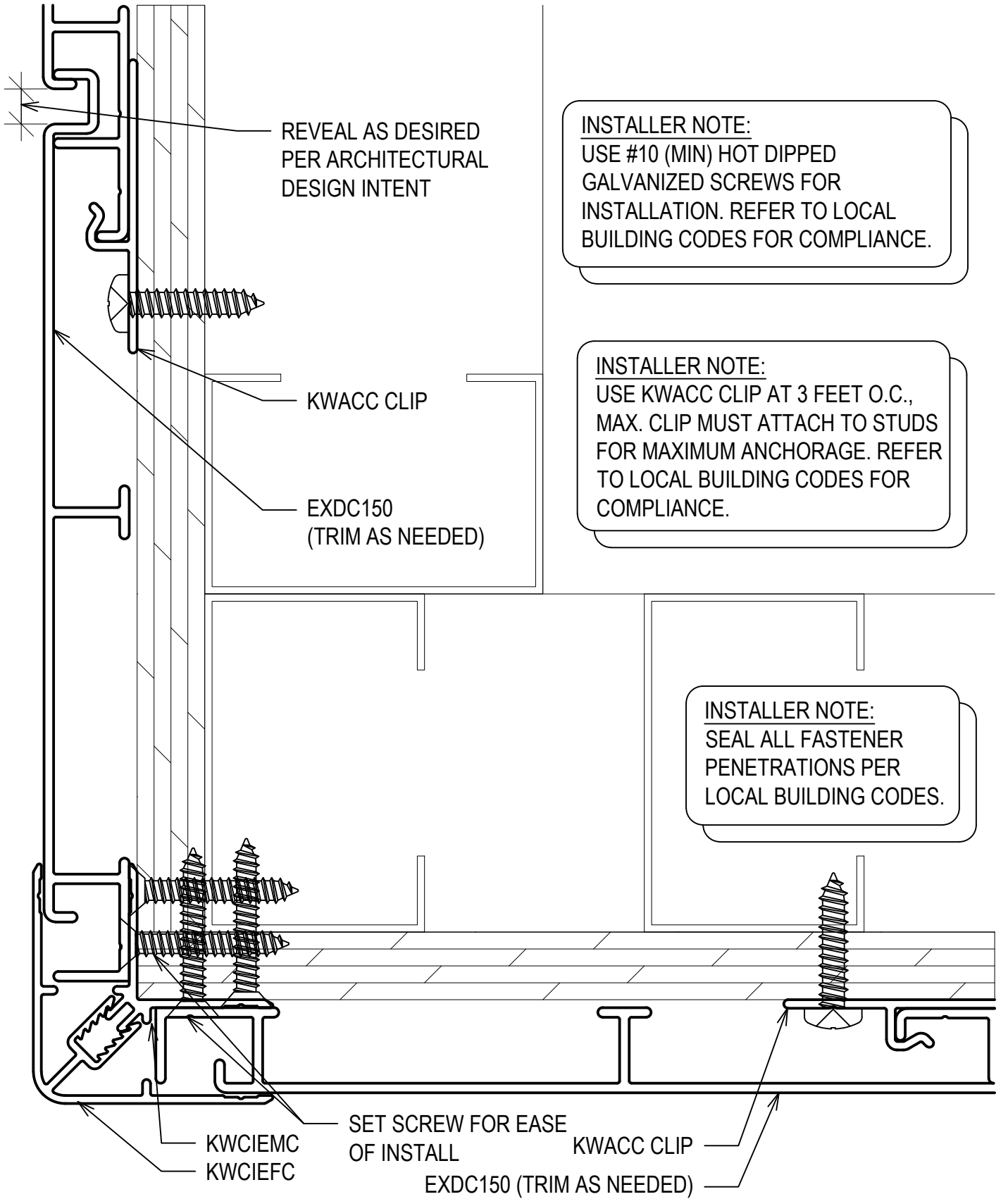


KNOTWOOD

KNOTWOOD
 10914 NE 39TH ST., STE B3
 VANCOUVER, WA 98682
 1.855.566.8966
 SALES@KNOTWOOD.COM

OUTSIDE CORNER W/
 HORIZONTAL
 SIDING/ CLADDING

K3
 11.03.17



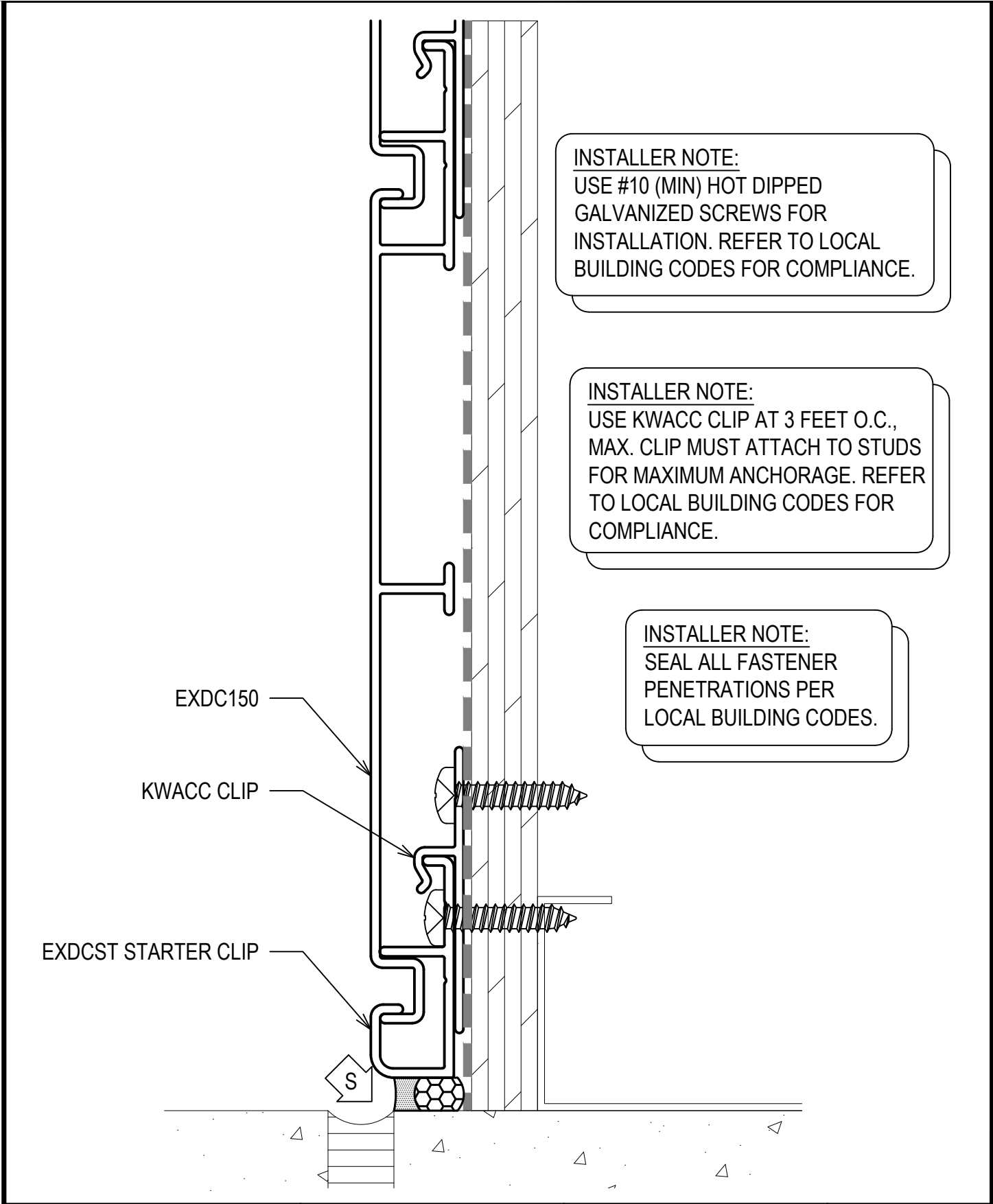
KNOTWOOD

KNOTWOOD
10914 NE 39TH ST., STE B3
VANCOUVER, WA 98682
1.855.566.8966
SALES@KNOTWOOD.COM

OUTSIDE CORNER W/
VERTICAL
SIDING/ CLADDING

K4

11.03.17



INSTALLER NOTE:
 USE #10 (MIN) HOT DIPPED GALVANIZED SCREWS FOR INSTALLATION. REFER TO LOCAL BUILDING CODES FOR COMPLIANCE.

INSTALLER NOTE:
 USE KWACC CLIP AT 3 FEET O.C., MAX. CLIP MUST ATTACH TO STUDS FOR MAXIMUM ANCHORAGE. REFER TO LOCAL BUILDING CODES FOR COMPLIANCE.

INSTALLER NOTE:
 SEAL ALL FASTENER PENETRATIONS PER LOCAL BUILDING CODES.

EXDC150

KWACC CLIP

EXDCST STARTER CLIP

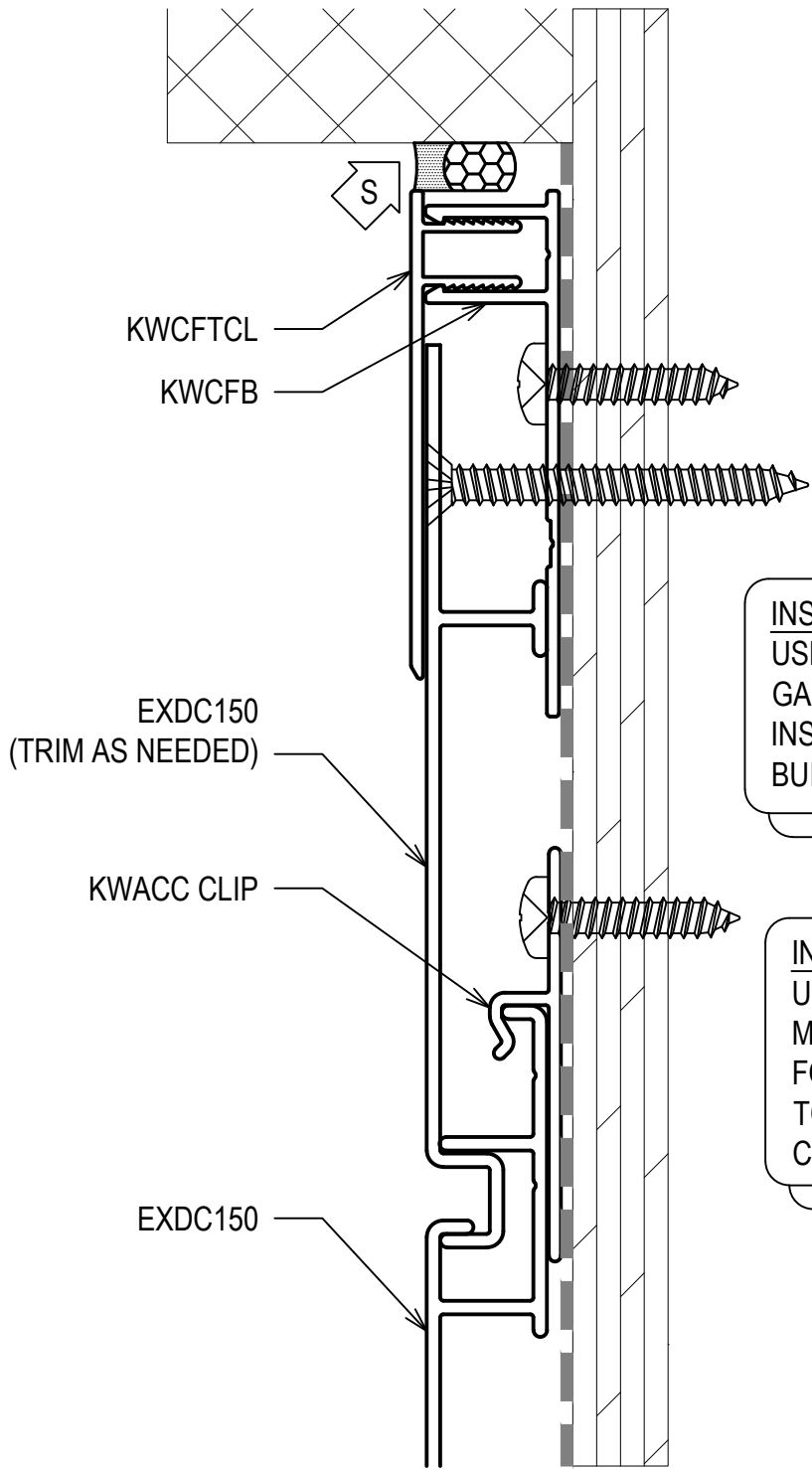
S

KNOTWOOD

KNOTWOOD
 10914 NE 39TH ST., STE B3
 VANCOUVER, WA 98682
 1.855.566.8966
 SALES@KNOTWOOD.COM

SILL STARTER

K5
 11.03.17



INSTALLER NOTE:
SEAL ALL FASTENER PENETRATIONS PER LOCAL BUILDING CODES.

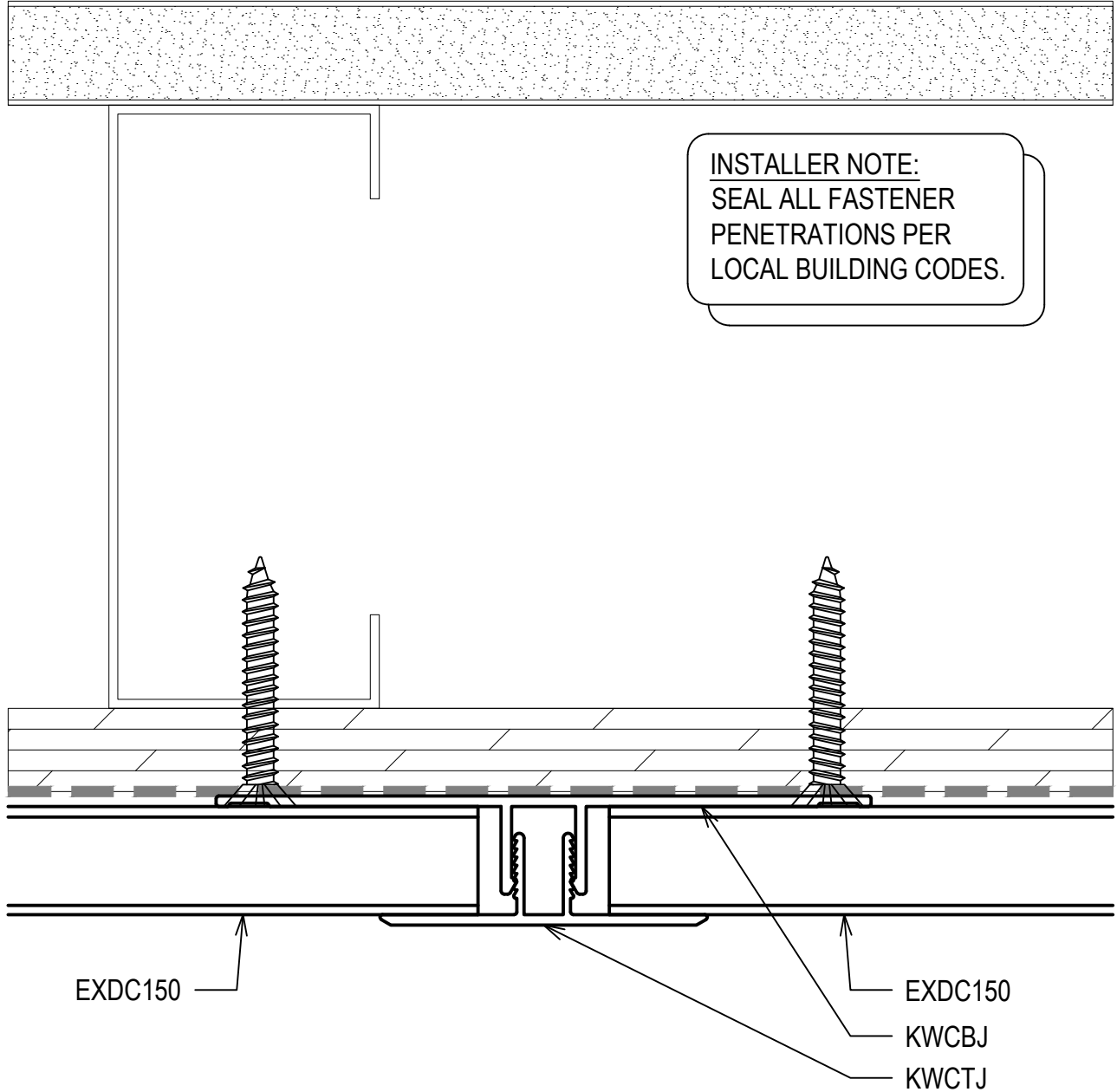
INSTALLER NOTE:
USE #10 (MIN) HOT DIPPED GALVANIZED SCREWS FOR INSTALLATION. REFER TO LOCAL BUILDING CODES FOR COMPLIANCE.

INSTALLER NOTE:
USE KWACC CLIP AT 3 FEET O.C., MAX. CLIP MUST ATTACH TO STUDS FOR MAXIMUM ANCHORAGE. REFER TO LOCAL BUILDING CODES FOR COMPLIANCE.

<p>KNOTWOOD</p>	<p>KNOTWOOD 10914 NE 39TH ST., STE B3 VANCOUVER, WA 98682 1.855.566.8966 SALES@KNOTWOOD.COM</p>	<p>HEAD</p>	<p>K6 11.03.17</p>
------------------------	---	-------------	-------------------------------

INSTALLER NOTE:
USE #10 (MIN) HOT DIPPED GALVANIZED SCREWS FOR INSTALLATION. REFER TO LOCAL BUILDING CODES FOR COMPLIANCE.

INSTALLER NOTE:
USE KWACC CLIP AT 3 FEET O.C., MAX. CLIP MUST ATTACH TO STUDS FOR MAXIMUM ANCHORAGE. REFER TO LOCAL BUILDING CODES FOR COMPLIANCE.



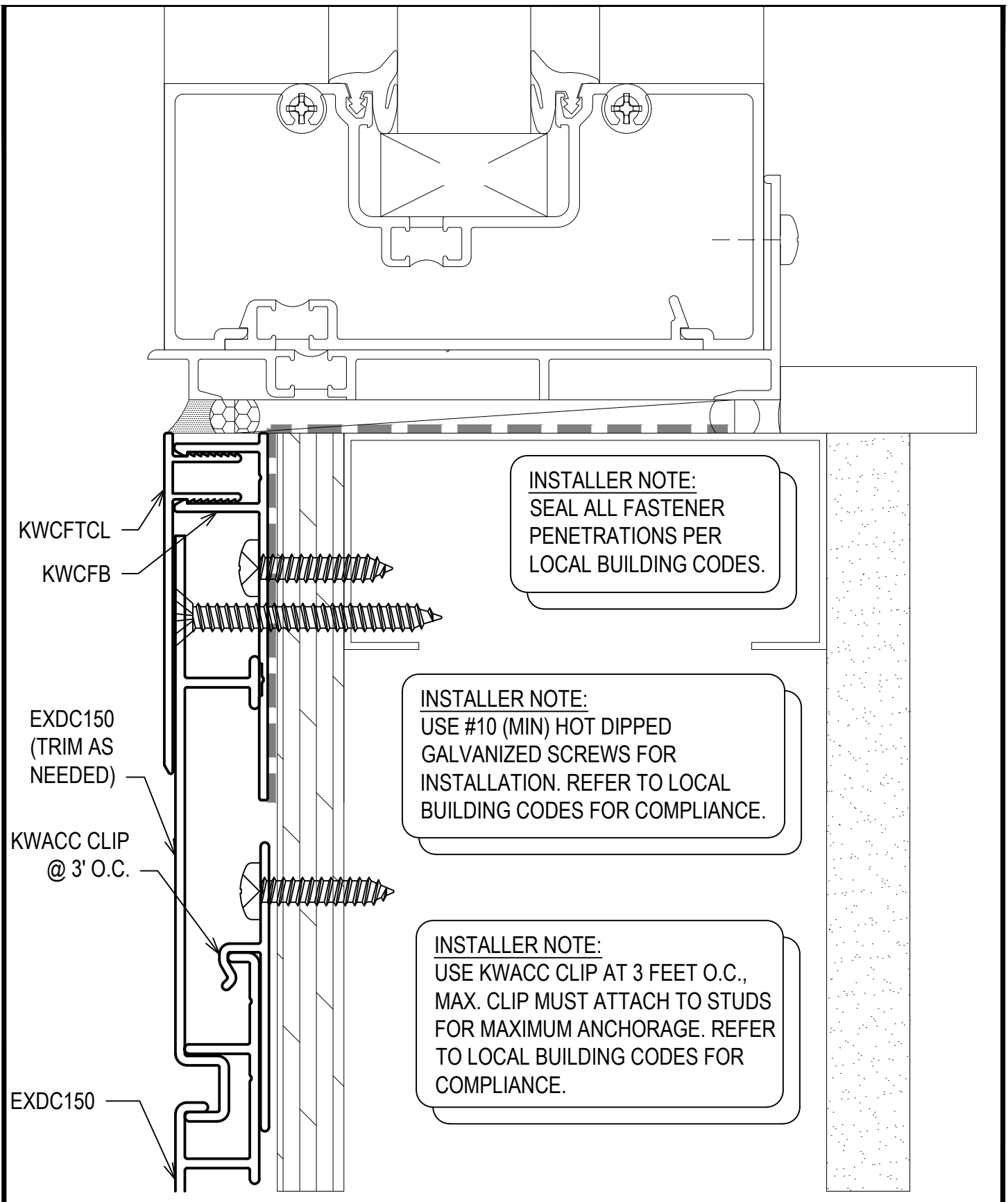
KNOTWOOD

KNOTWOOD
10914 NE 39TH ST., STE B3
VANCOUVER, WA 98682
1.855.566.8966
SALES@KNOTWOOD.COM

SPLICE JOINT
@ EXPANSION SPLICE

K7

11.03.17



INSTALLER NOTE:
SEAL ALL FASTENER PENETRATIONS PER LOCAL BUILDING CODES.

INSTALLER NOTE:
USE #10 (MIN) HOT DIPPED GALVANIZED SCREWS FOR INSTALLATION. REFER TO LOCAL BUILDING CODES FOR COMPLIANCE.

INSTALLER NOTE:
USE KWACC CLIP AT 3 FEET O.C., MAX. CLIP MUST ATTACH TO STUDS FOR MAXIMUM ANCHORAGE. REFER TO LOCAL BUILDING CODES FOR COMPLIANCE.

KNOTWOOD

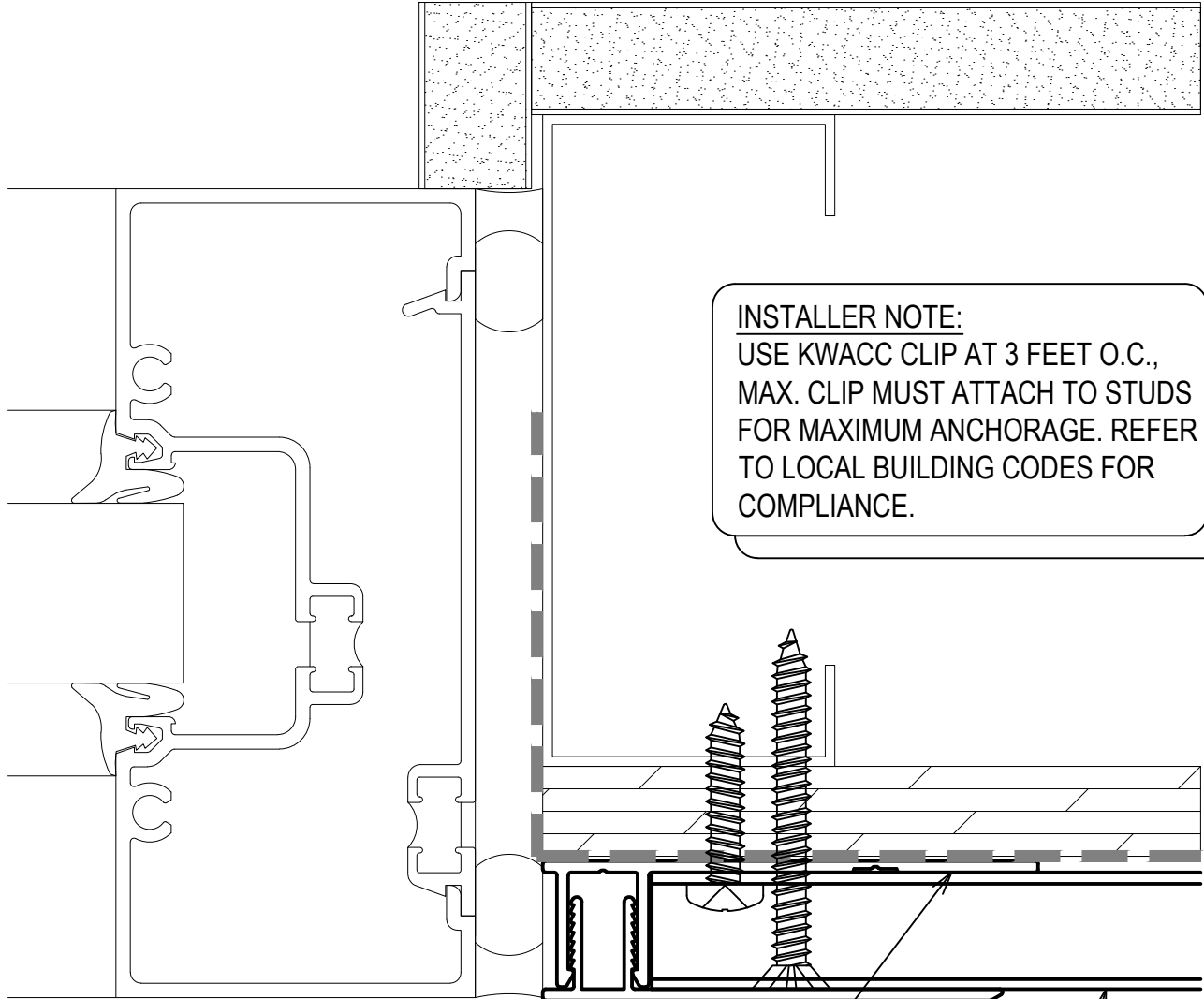
KNOTWOOD
10914 NE 39TH ST., STE B3
VANCOUVER, WA 98682
1.855.566.8966
SALES@KNOTWOOD.COM

CLADDING AT WINDOW SILL

K8

11.03.17

INSTALLER NOTE:
USE #10 (MIN) HOT DIPPED GALVANIZED SCREWS FOR INSTALLATION. REFER TO LOCAL BUILDING CODES FOR COMPLIANCE.



INSTALLER NOTE:
USE KWACC CLIP AT 3 FEET O.C., MAX. CLIP MUST ATTACH TO STUDS FOR MAXIMUM ANCHORAGE. REFER TO LOCAL BUILDING CODES FOR COMPLIANCE.

INSTALLER NOTE:
SEAL ALL FASTENER PENETRATIONS PER LOCAL BUILDING CODES.

KWCFTCL

KWCFB

EXDC150

KNOTWOOD

KNOTWOOD
10914 NE 39TH ST., STE B3
VANCOUVER, WA 98682
1.855.566.8966
SALES@KNOTWOOD.COM

CLADDING AT
WINDOW/ DOOR JAMB

K9

11.03.17

KWACC CLIP

EXDC150
(TRIM AS
NEEDED)

KWCFTCL

KWCFB

INSTALLER NOTE:

USE #10 (MIN) HOT DIPPED GALVANIZED SCREWS FOR INSTALLATION. REFER TO LOCAL BUILDING CODES FOR COMPLIANCE.

INSTALLER NOTE:

USE KWACC CLIP AT 3 FEET O.C., MAX. CLIP MUST ATTACH TO STUDS FOR MAXIMUM ANCHORAGE. REFER TO LOCAL BUILDING CODES FOR COMPLIANCE.

INSTALLER NOTE:

SEAL ALL FASTENER PENETRATIONS PER LOCAL BUILDING CODES.

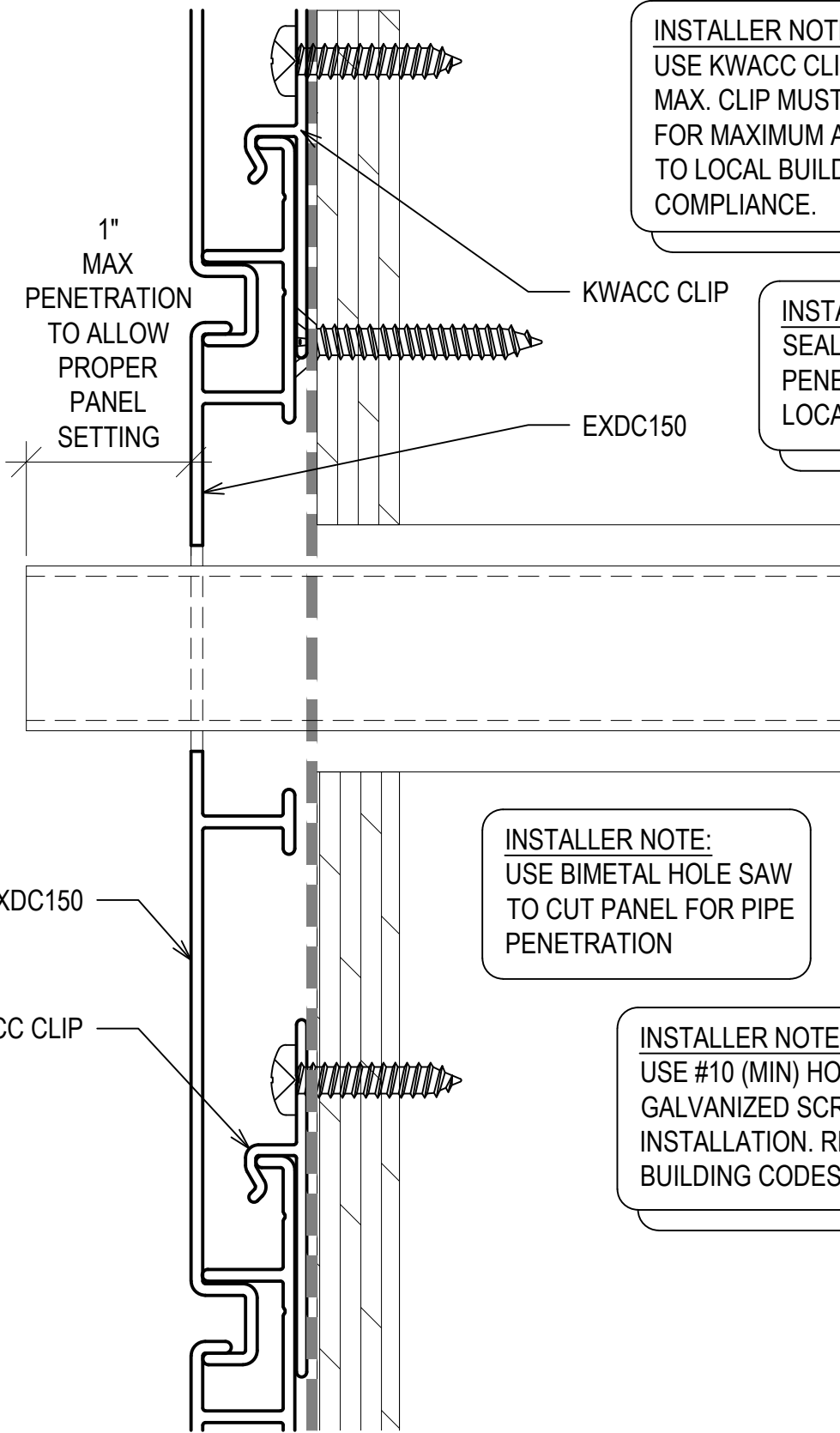
KNOTWOOD

KNOTWOOD
10914 NE 39TH ST., STE B3
VANCOUVER, WA 98682
1.855.566.8966
SALES@KNOTWOOD.COM

CLADDING AT
WINDOW/ DOOR HEAD

K10

11.03.17



INSTALLER NOTE:
 USE KWACC CLIP AT 3 FEET O.C.,
 MAX. CLIP MUST ATTACH TO STUDS
 FOR MAXIMUM ANCHORAGE. REFER
 TO LOCAL BUILDING CODES FOR
 COMPLIANCE.

INSTALLER NOTE:
 SEAL ALL FASTENER
 PENETRATIONS PER
 LOCAL BUILDING CODES.

INSTALLER NOTE:
 USE BIMETAL HOLE SAW
 TO CUT PANEL FOR PIPE
 PENETRATION

INSTALLER NOTE:
 USE #10 (MIN) HOT DIPPED
 GALVANIZED SCREWS FOR
 INSTALLATION. REFER TO LOCAL
 BUILDING CODES FOR COMPLIANCE.

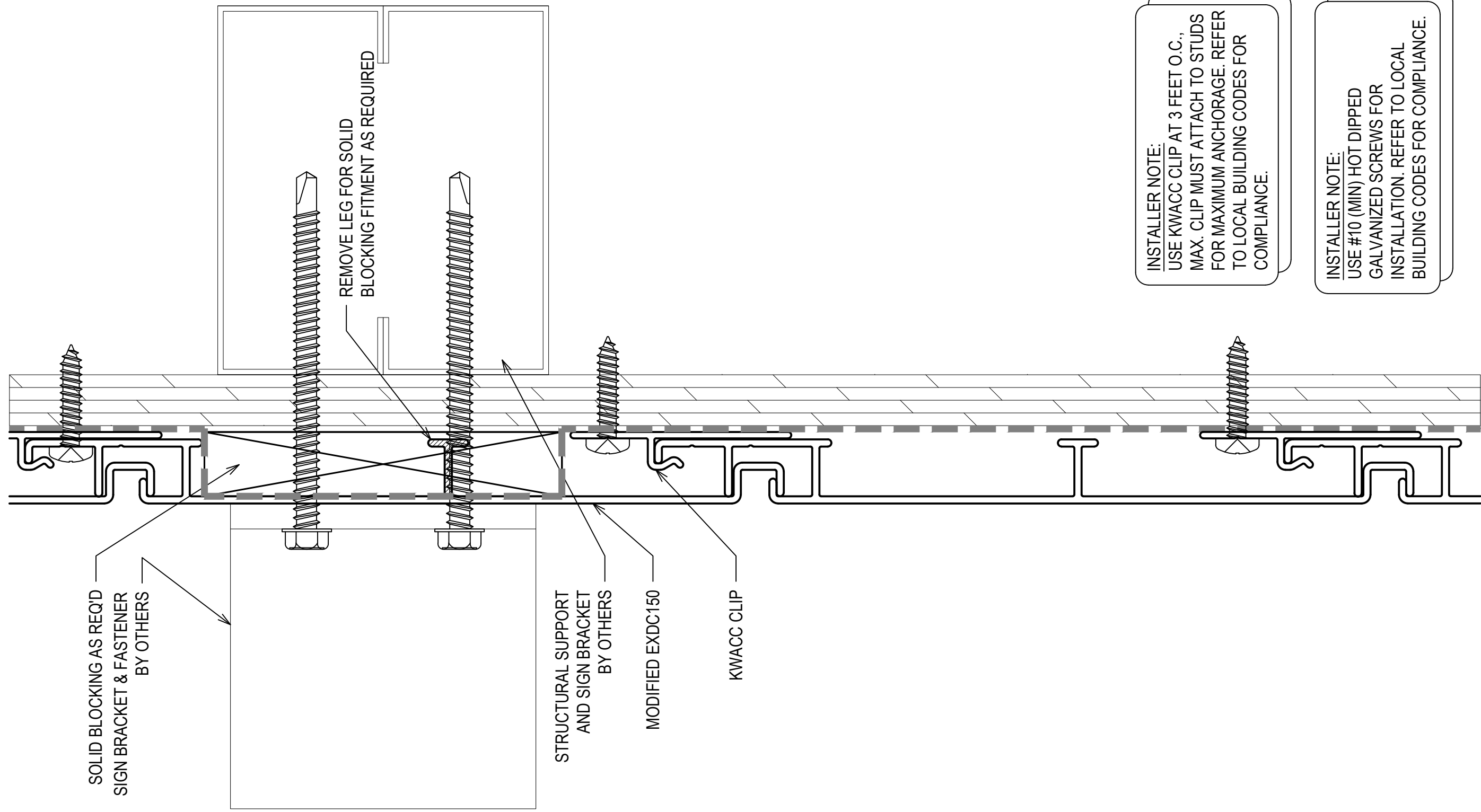
KNOTWOOD

KNOTWOOD
 10914 NE 39TH ST., STE B3
 VANCOUVER, WA 98682
 1.855.566.8966
 SALES@KNOTWOOD.COM

PIPE PENETRATION
 AT CLADDING

K 1 1

11.03.17



SOLID BLOCKING AS REQ'D
SIGN BRACKET & FASTENER
BY OTHERS

REMOVE LEG FOR SOLID
BLOCKING FITMENT AS REQUIRED

STRUCTURAL SUPPORT
AND SIGN BRACKET
BY OTHERS

MODIFIED EXDC150

KWACC CLIP

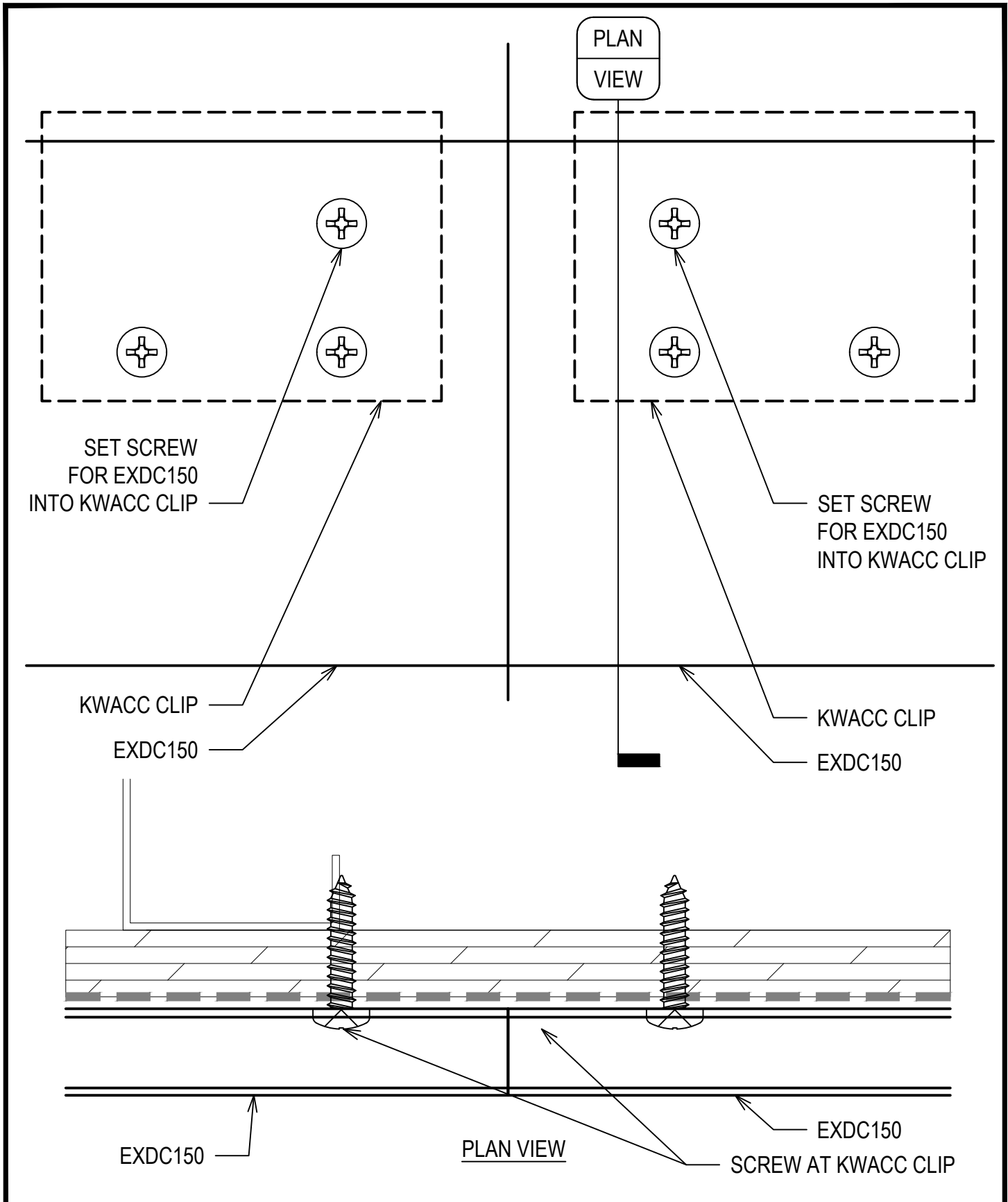
INSTALLER NOTE:
USE KWACC CLIP AT 3 FEET O.C.,
MAX. CLIP MUST ATTACH TO STUDS
FOR MAXIMUM ANCHORAGE. REFER
TO LOCAL BUILDING CODES FOR
COMPLIANCE.

INSTALLER NOTE:
USE #10 (MIN) HOT DIPPED
GALVANIZED SCREWS FOR
INSTALLATION. REFER TO LOCAL
BUILDING CODES FOR COMPLIANCE.

KNOTWOOD
10914 NE 39TH ST., STE B3
VANCOUVER, WA 98682
1.855.566.8966
SALES@KNOTWOOD.COM

K12
11.03.17
CLADDING AT
SIGNAGE

KNOTWOOD



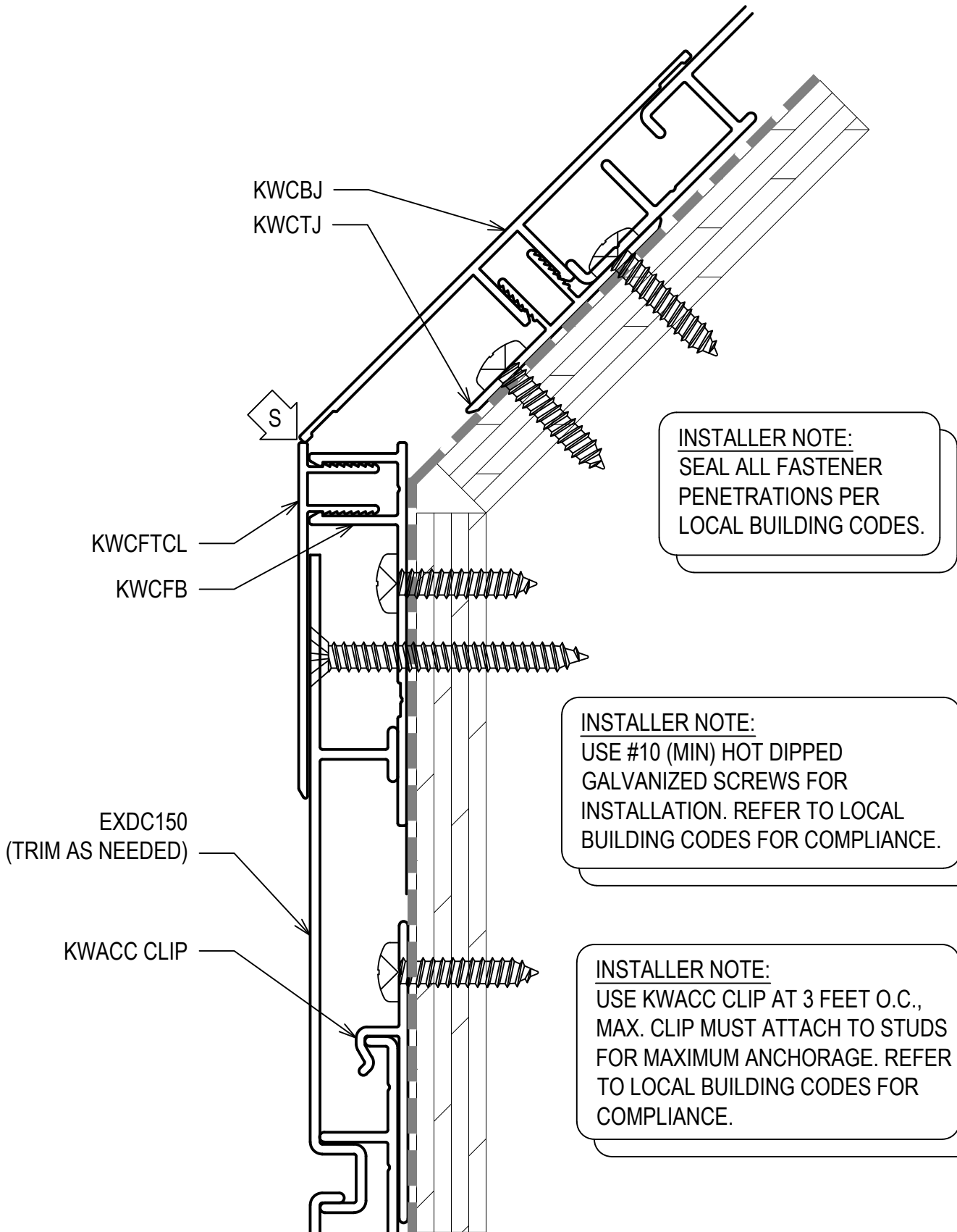
KNOTWOOD

KNOTWOOD
10914 NE 39TH ST., STE B3
VANCOUVER, WA 98682
1.855.566.8966
SALES@KNOTWOOD.COM

SPLICE JOINT
@ NON EXPANSION SPLICE

K13

11.03.17



INSTALLER NOTE:
SEAL ALL FASTENER PENETRATIONS PER LOCAL BUILDING CODES.

INSTALLER NOTE:
USE #10 (MIN) HOT DIPPED GALVANIZED SCREWS FOR INSTALLATION. REFER TO LOCAL BUILDING CODES FOR COMPLIANCE.

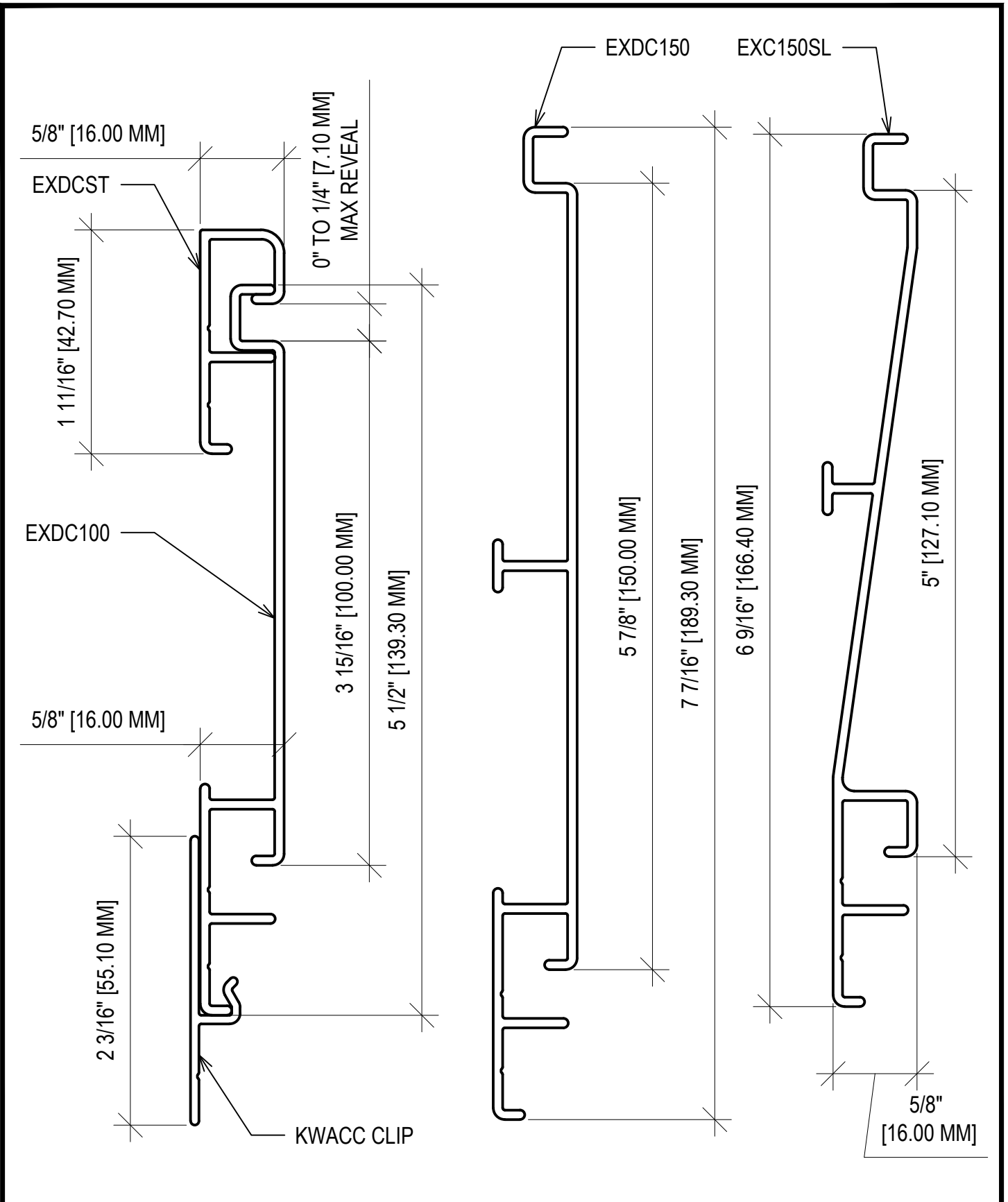
INSTALLER NOTE:
USE KWACC CLIP AT 3 FEET O.C., MAX. CLIP MUST ATTACH TO STUDS FOR MAXIMUM ANCHORAGE. REFER TO LOCAL BUILDING CODES FOR COMPLIANCE.

KNOTWOOD

KNOTWOOD
10914 NE 39TH ST., STE B3
VANCOUVER, WA 98682
1.855.566.8966
SALES@KNOTWOOD.COM

CLADDING AT SLOPE

K14
11.03.17

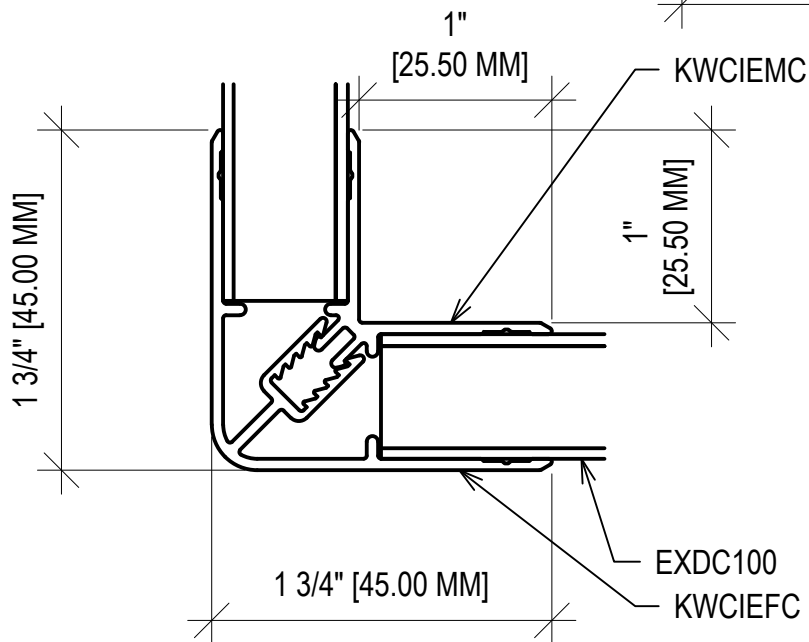
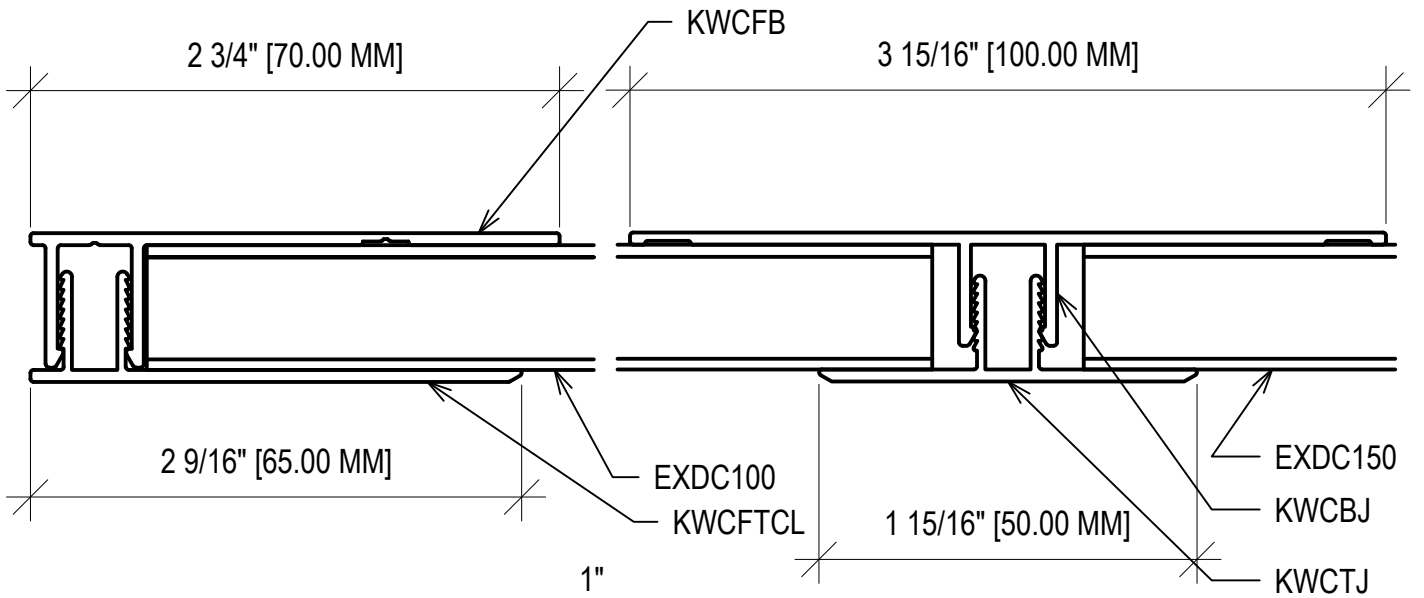
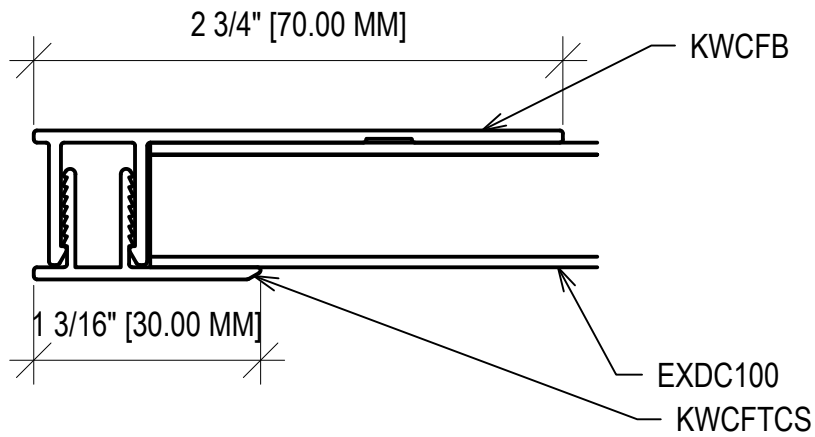


KNOTWOOD

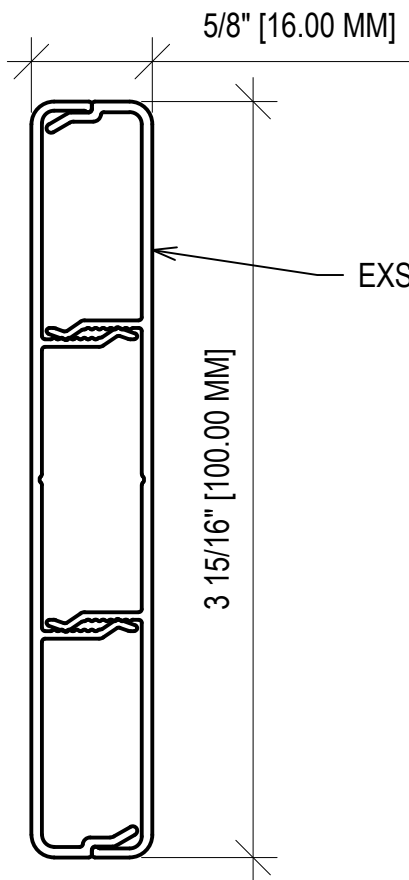
KNOTWOOD
 10914 NE 39TH ST., STE B3
 VANCOUVER, WA 98682
 1.855.566.8966
 SALES@KNOTWOOD.COM

CLADDING OPTIONS
 EXDC100, EXDC150,
 EXC150SL

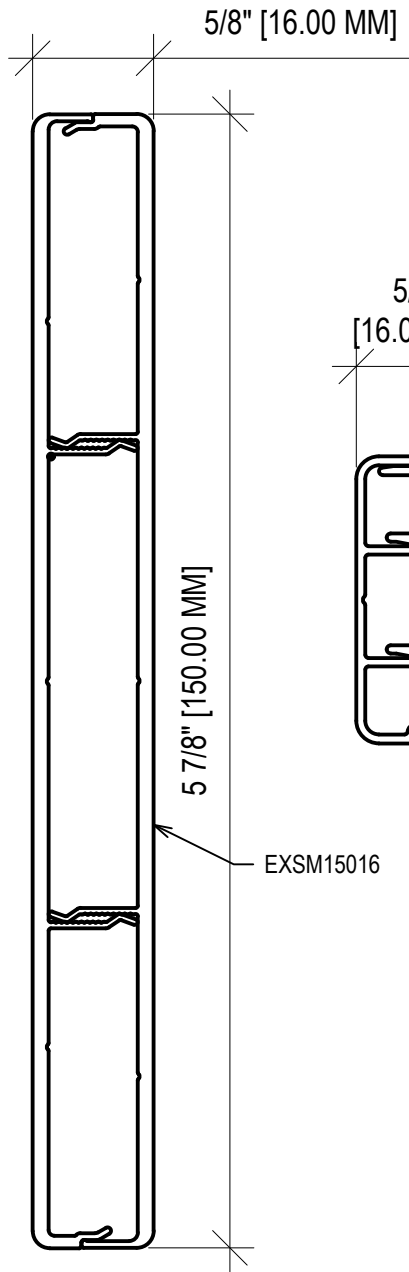
K15
 11.03.17



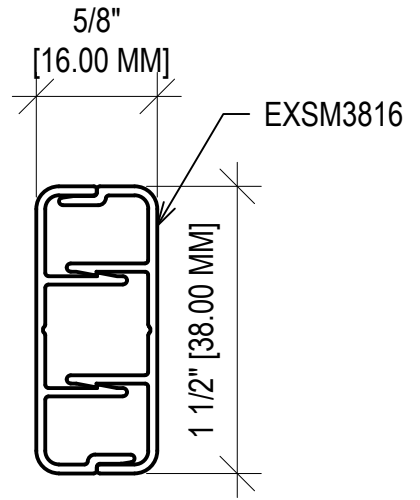
<p>KNOTWOOD</p>	<p>KNOTWOOD 10914 NE 39TH ST., STE B3 VANCOUVER, WA 98682 1.855.566.8966 SALES@KNOTWOOD.COM</p>	<p>CLADDING CAPS KWCFB, KWCFTCS, KWCFTCL, KWCIEMC, KWCIIEFC, KWCTJ, KWCBJ</p>	<p>K16 11.03.17</p>
------------------------	---	--	---



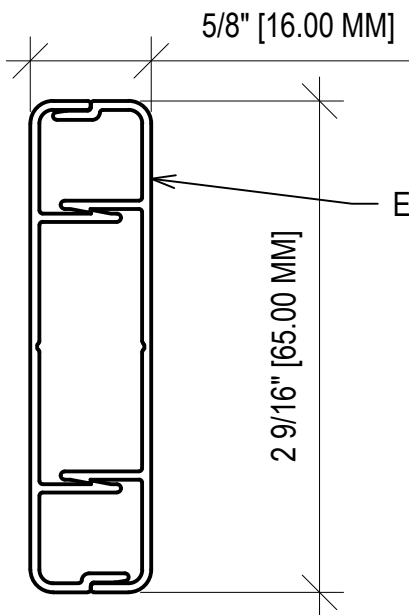
EXSM10016



EXSM15016



EXSM3816



EXSM6516

KNOTWOOD

KNOTWOOD
 10914 NE 39TH ST., STE B3
 VANCOUVER, WA 98682
 1.855.566.8966
 SALES@KNOTWOOD.COM

SELF MATING
 SIDING/ CLADDING
 EXSM15016, EXSM6516,
 EXSM10016, EXSM3816

K17

11.03.17